

EVOS

NORDRIVE[®]

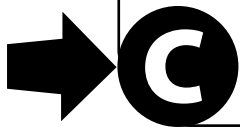
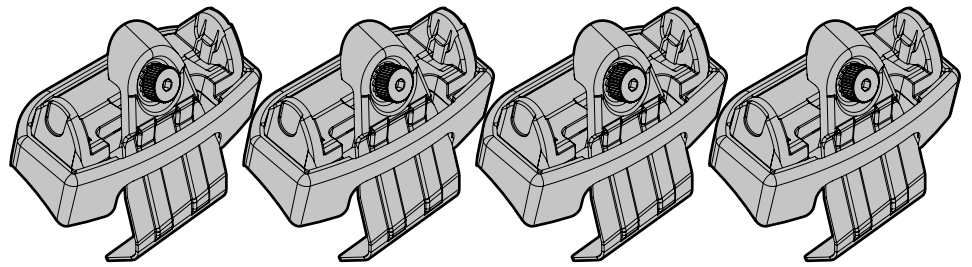
TRANSPORT SOLUTIONS

AUDI Q2

2000
11/16 →

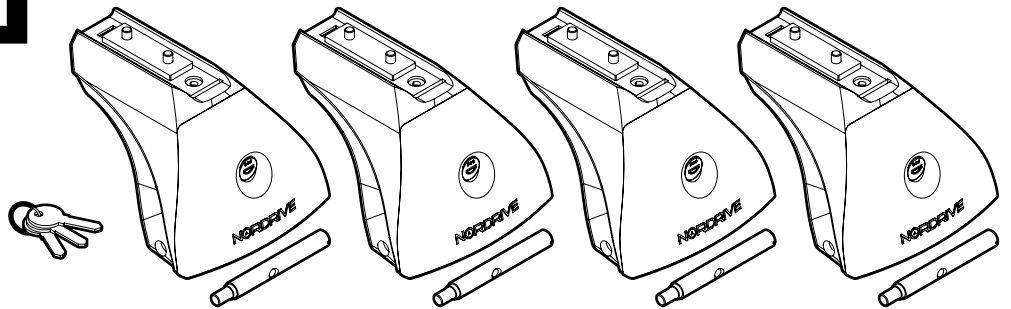


Art. N21218



+

Art. N20001

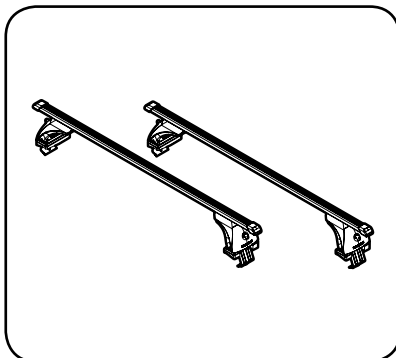


+

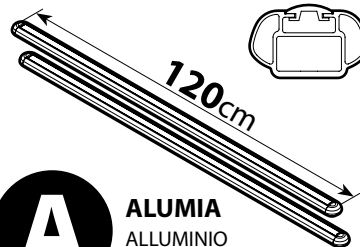
Art. N15020 **M**



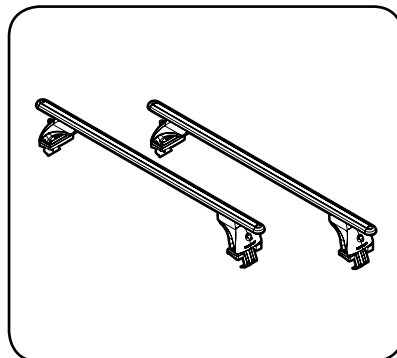
=



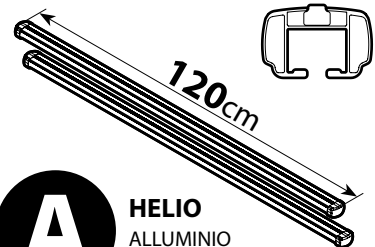
Art. N15025 **M**



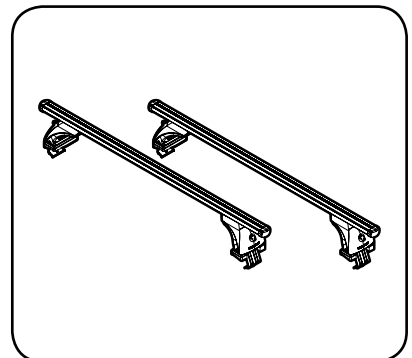
=

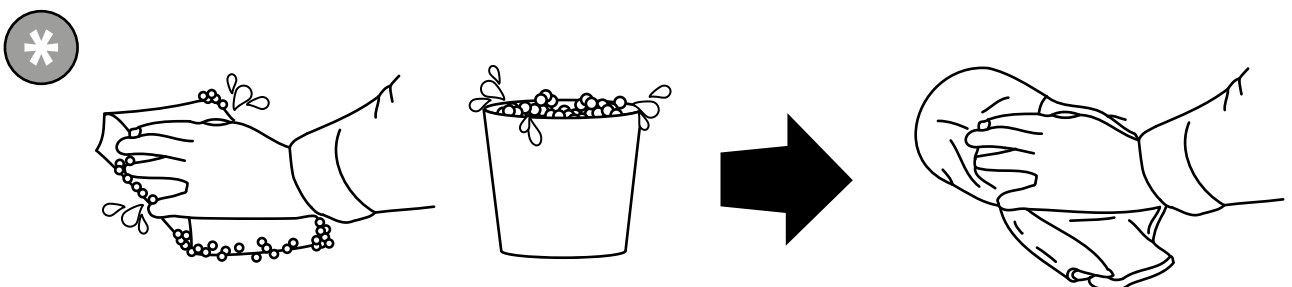
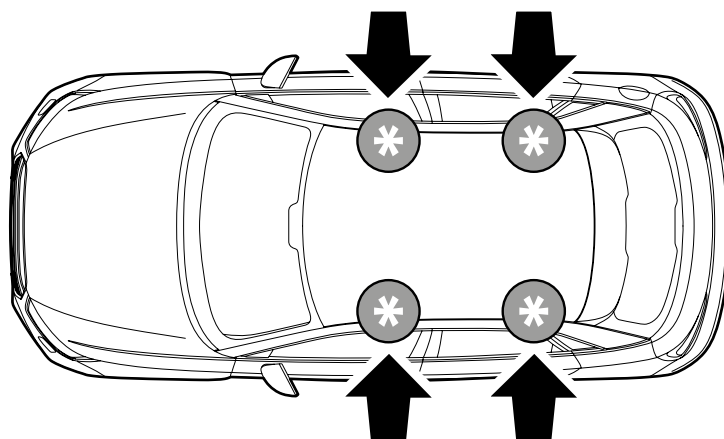
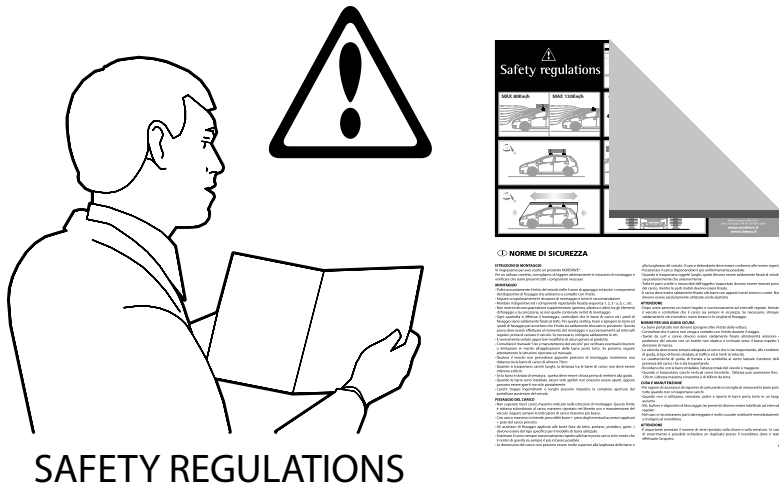
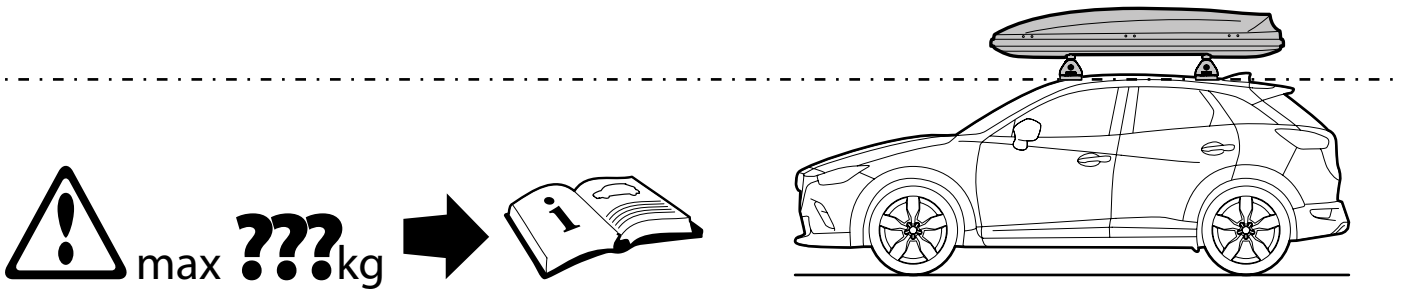
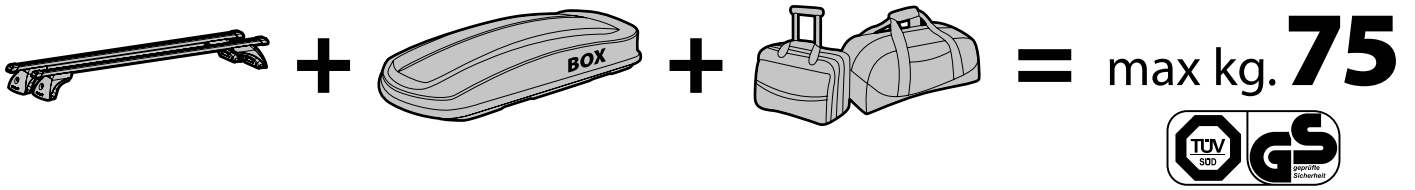


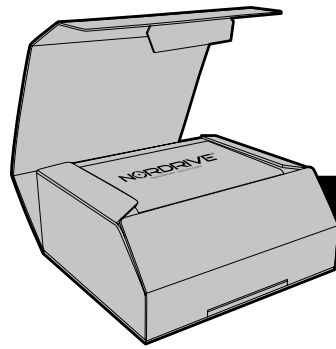
Art. N15075 **M**



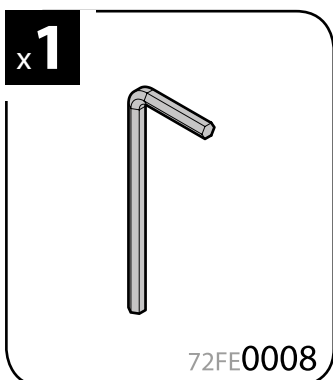
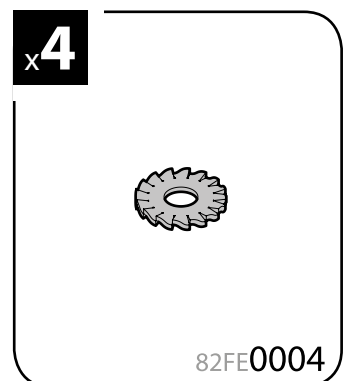
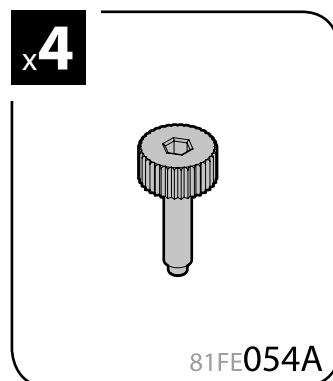
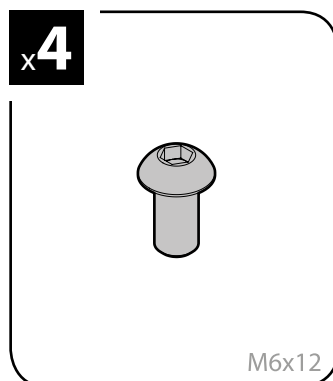
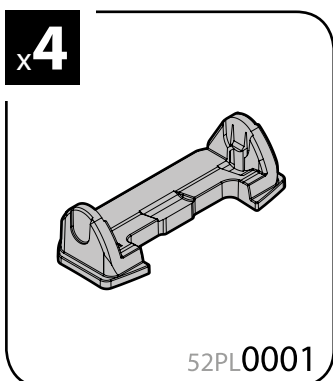
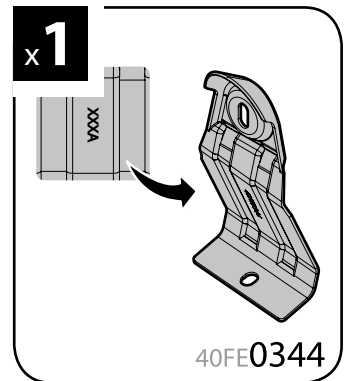
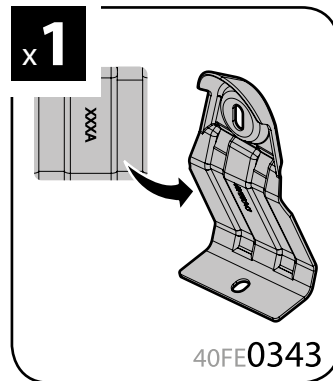
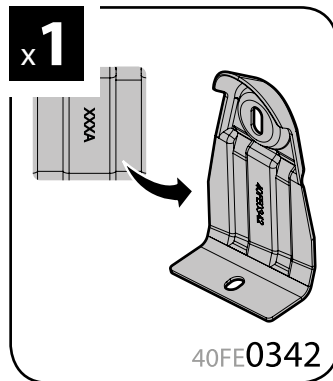
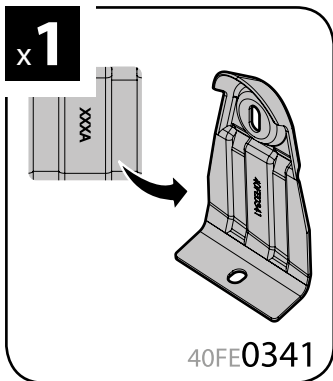
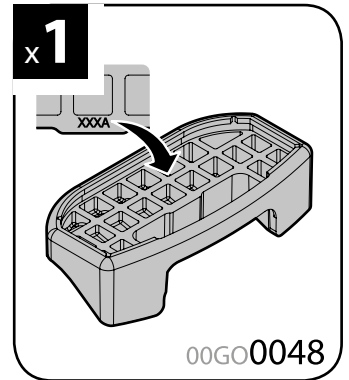
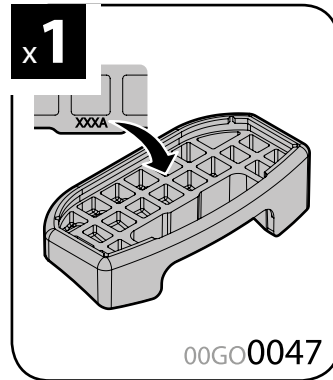
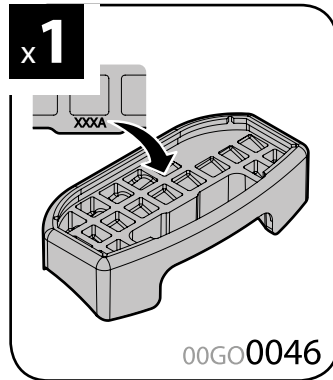
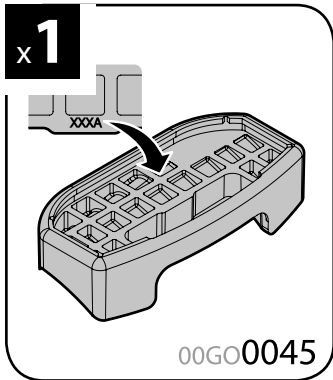
=

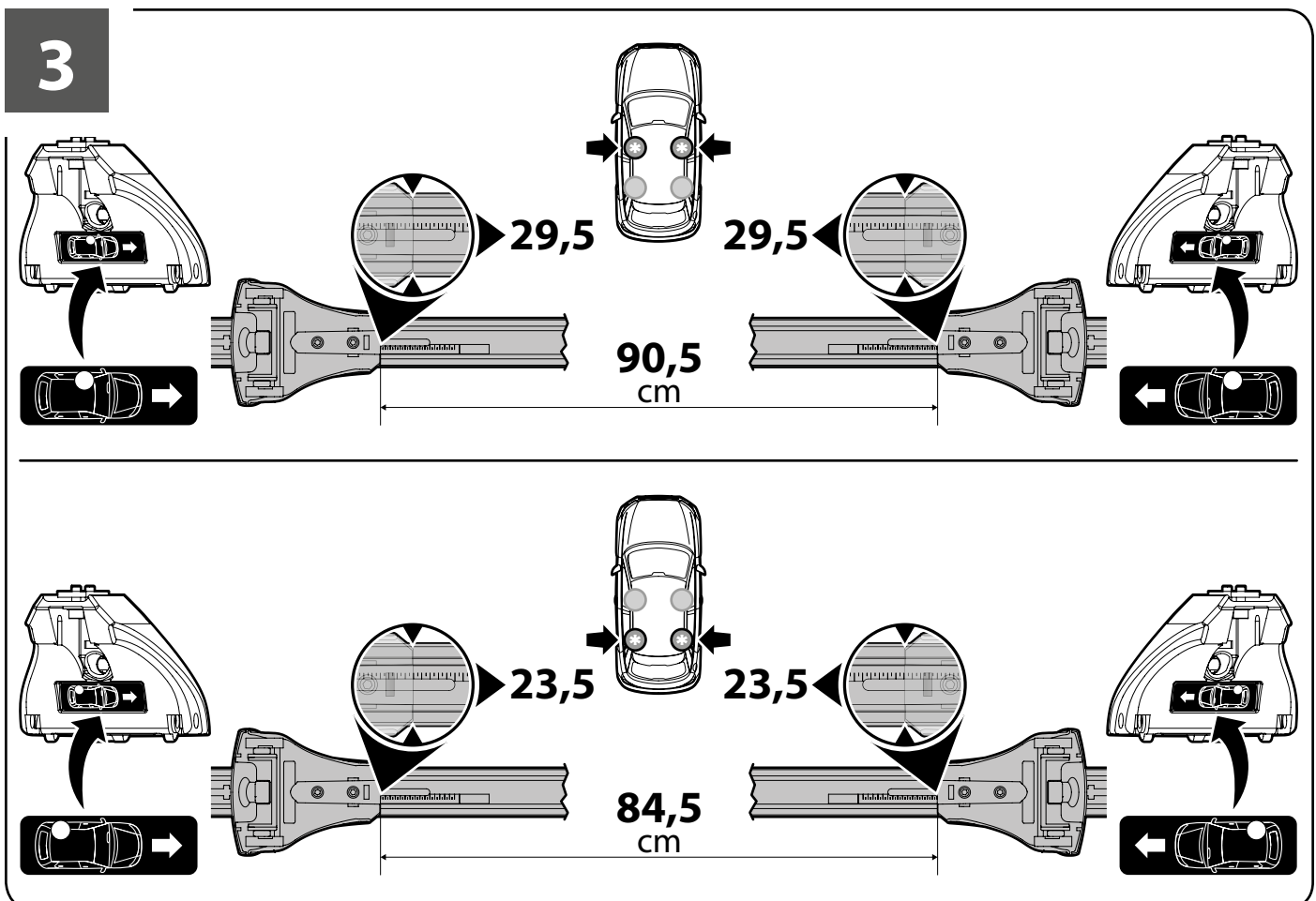
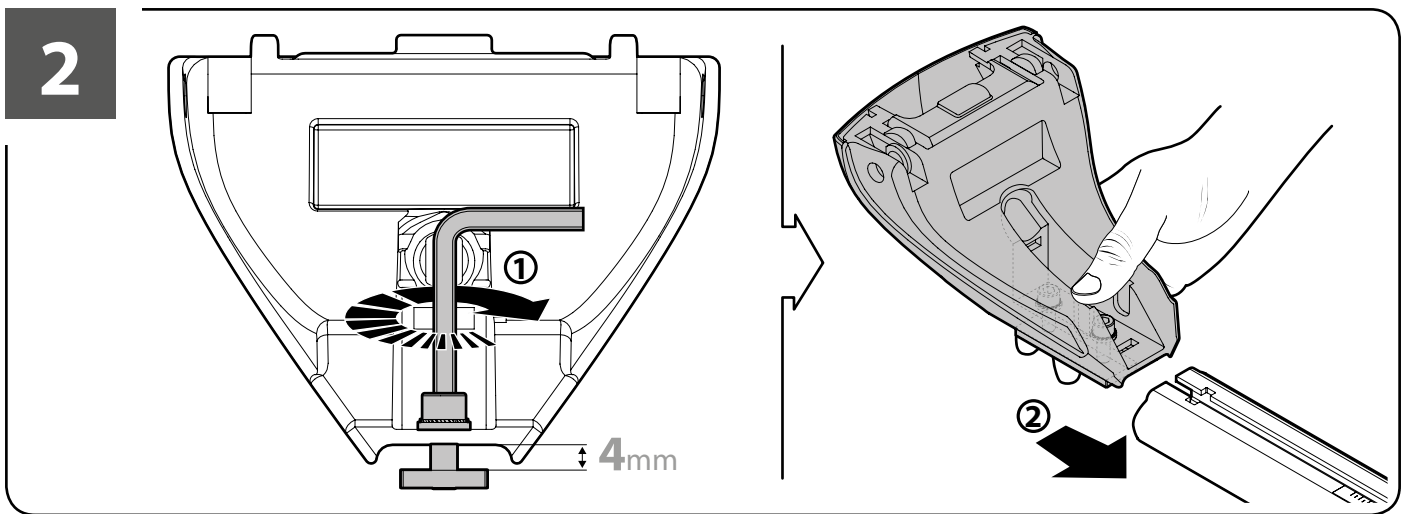
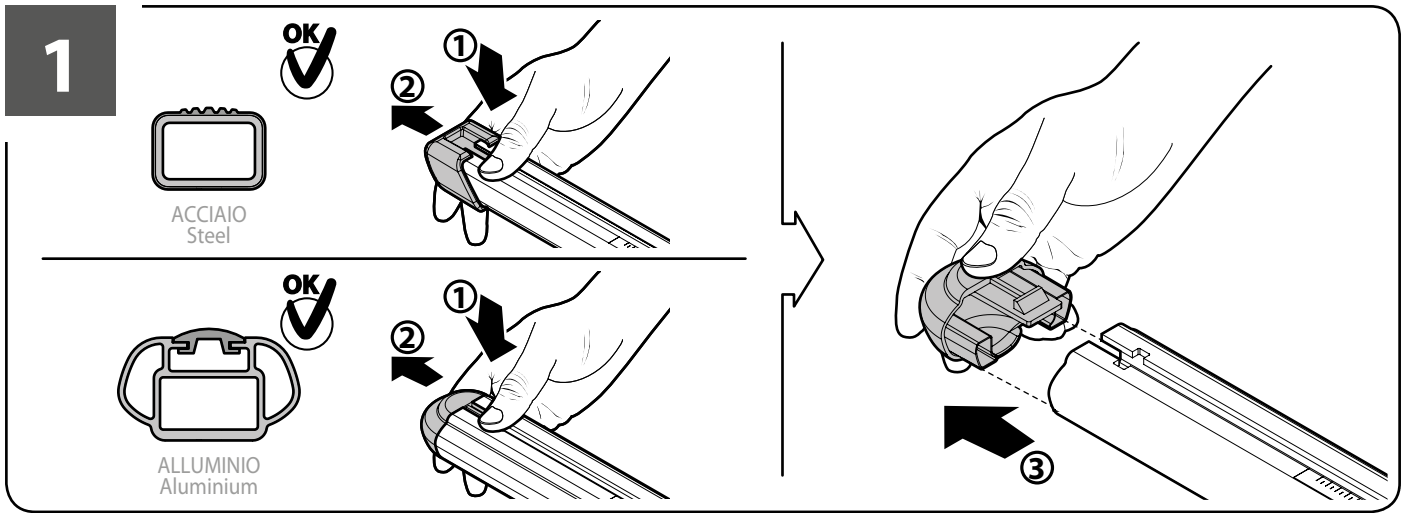




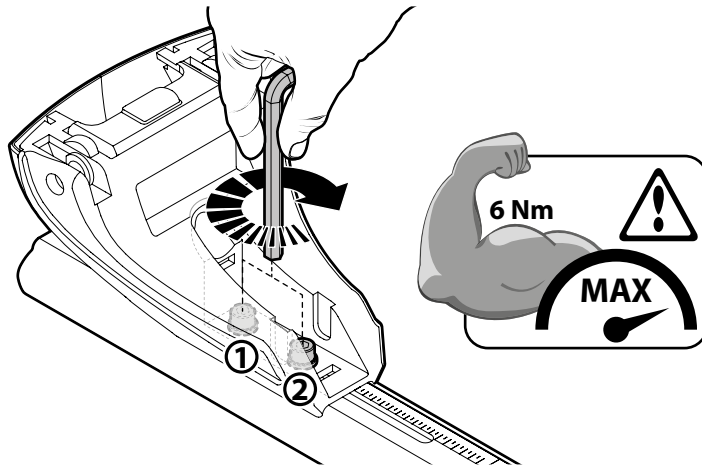


Art. **N21218**

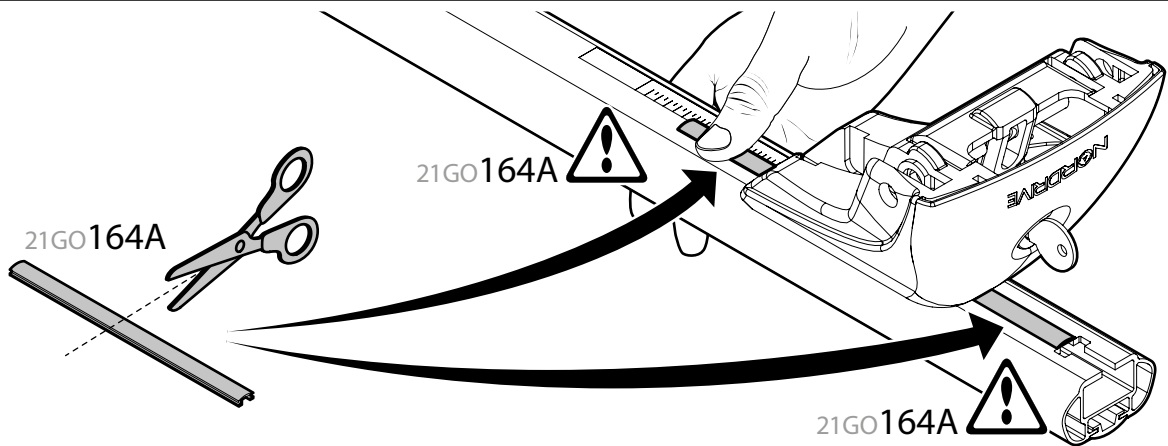




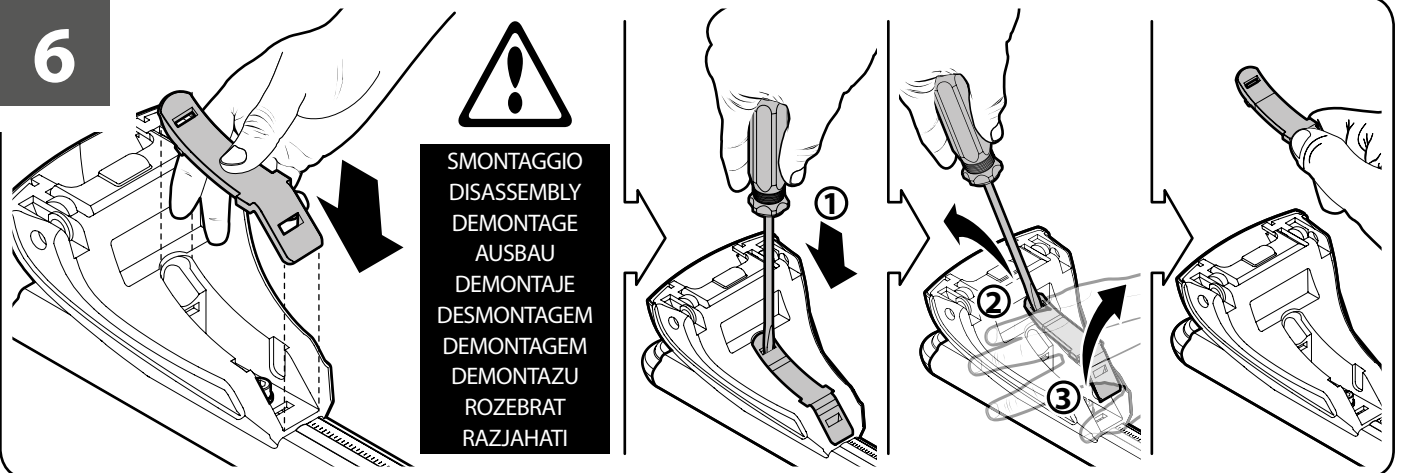
4



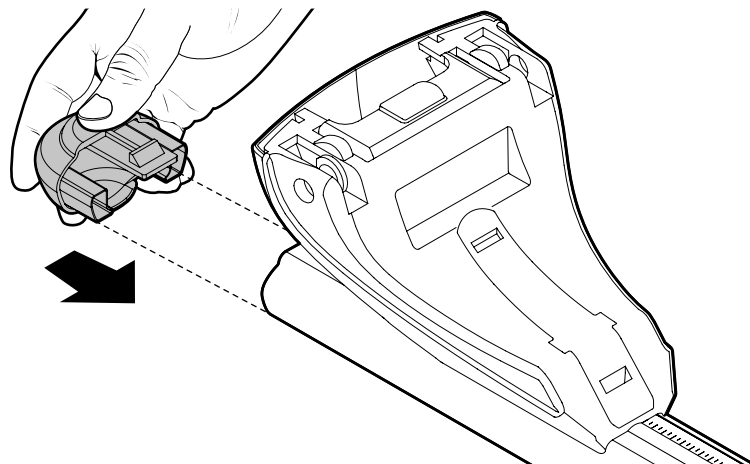
5



6

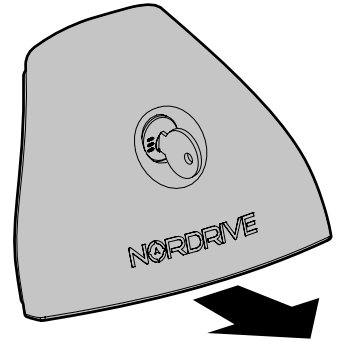
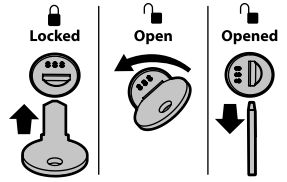
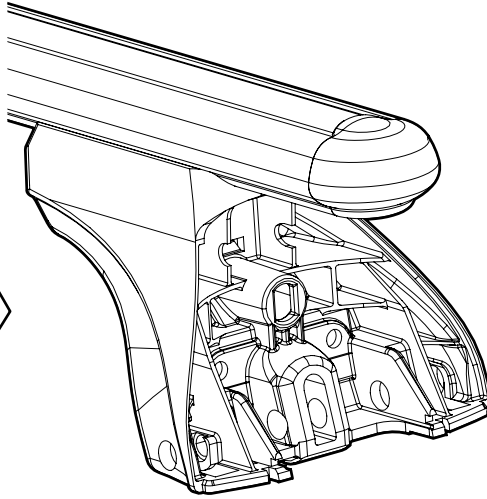


7

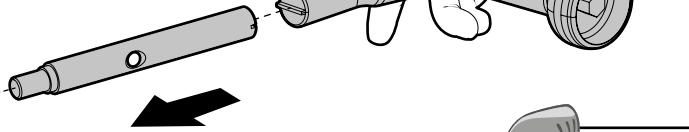
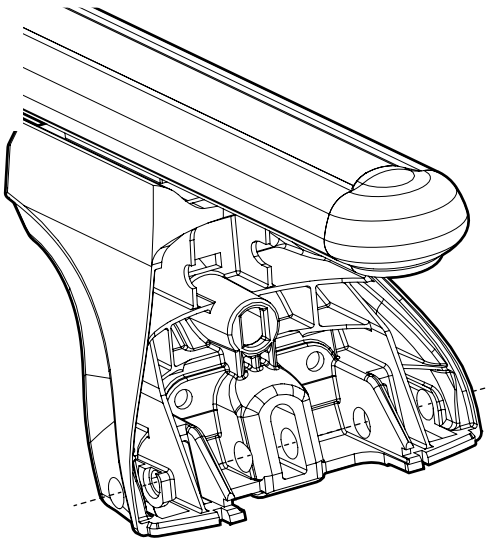


8

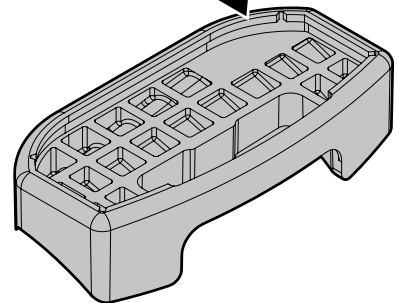
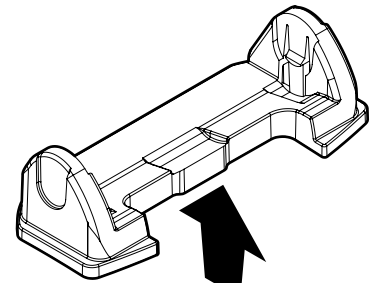
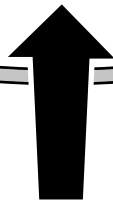
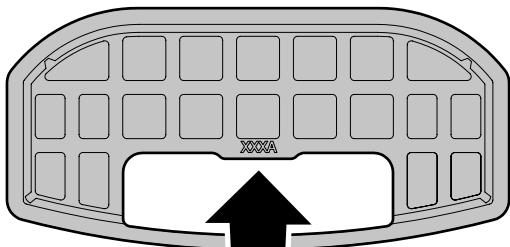
🔥 x1



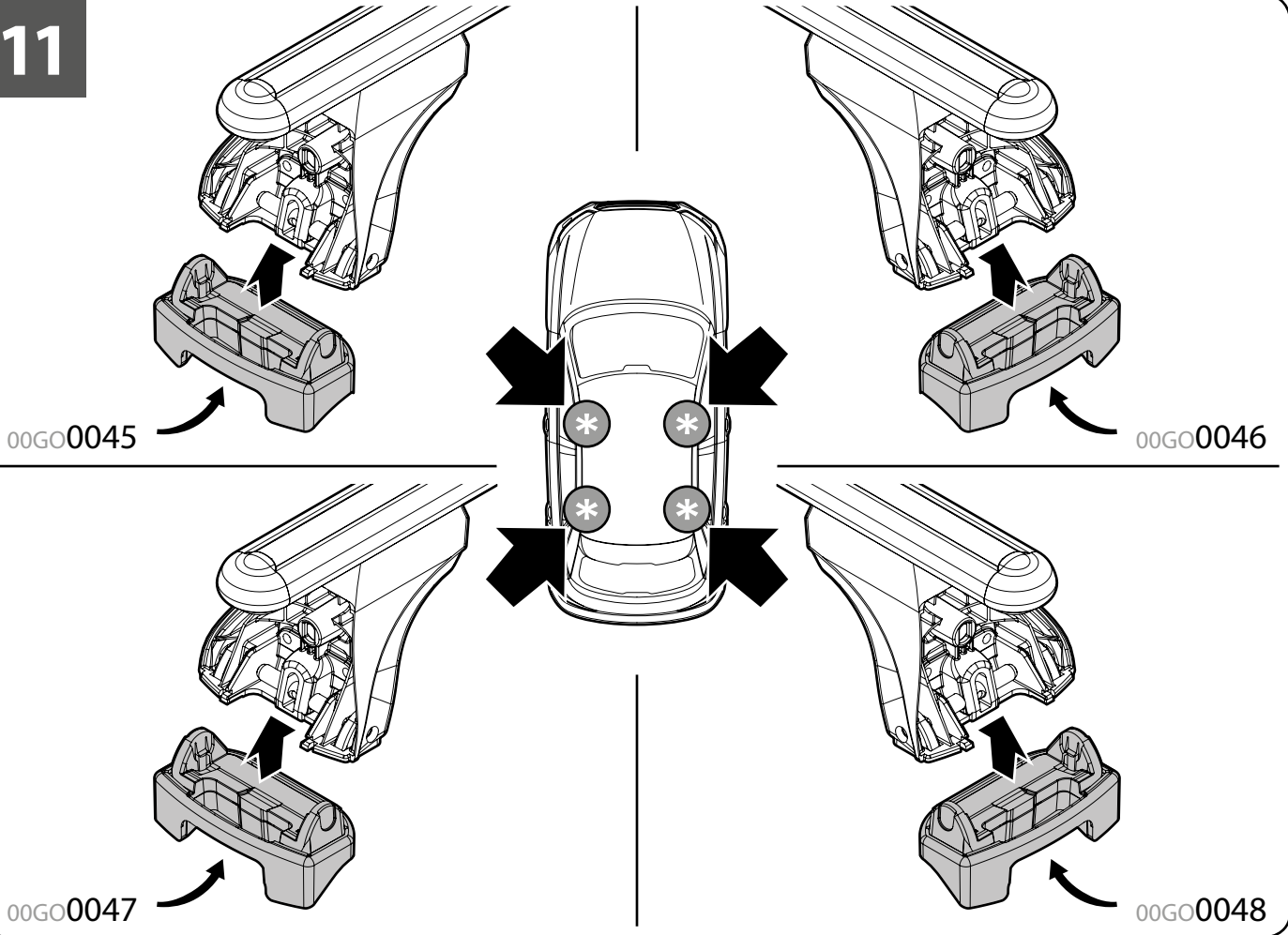
9



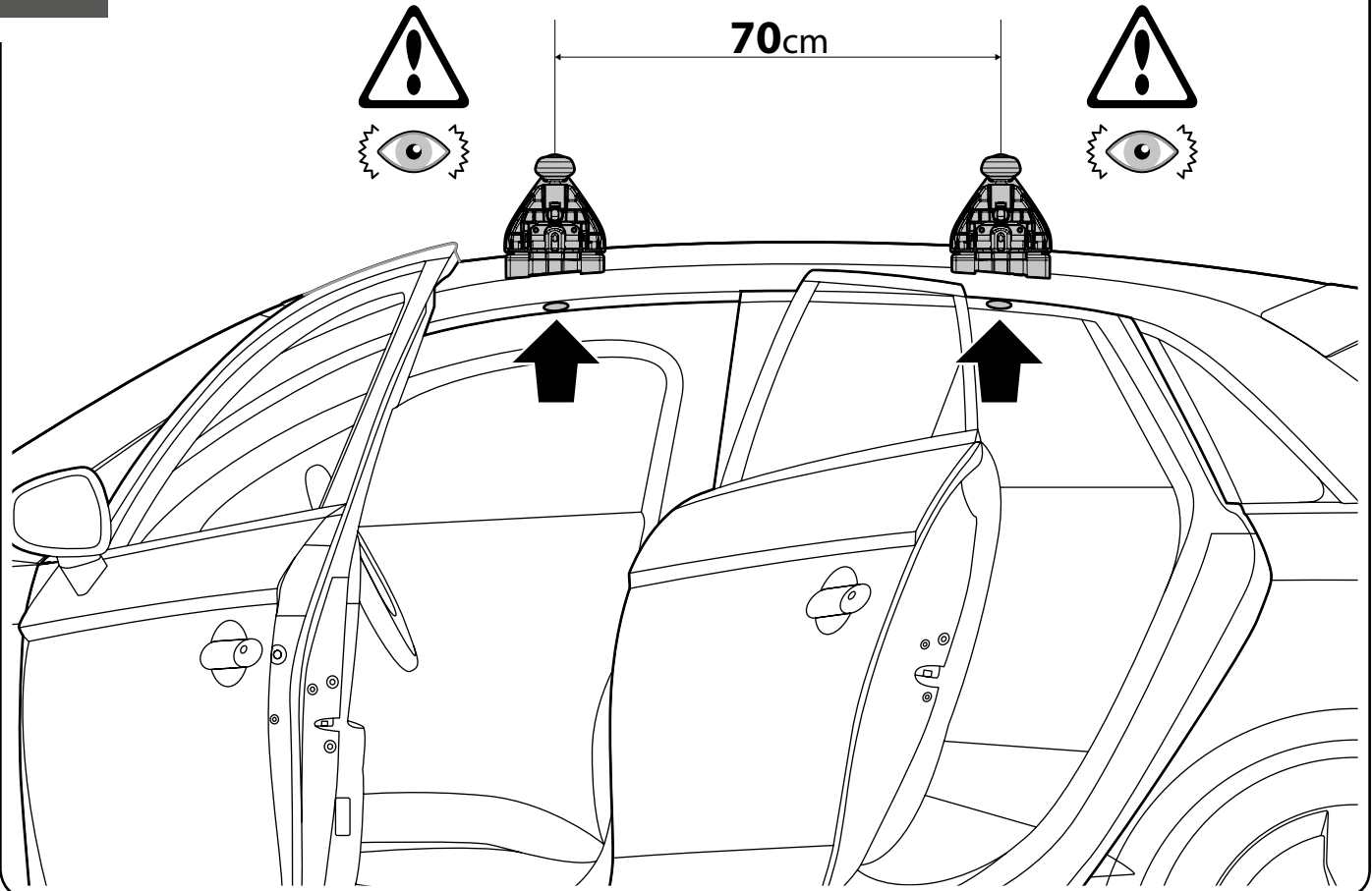
10



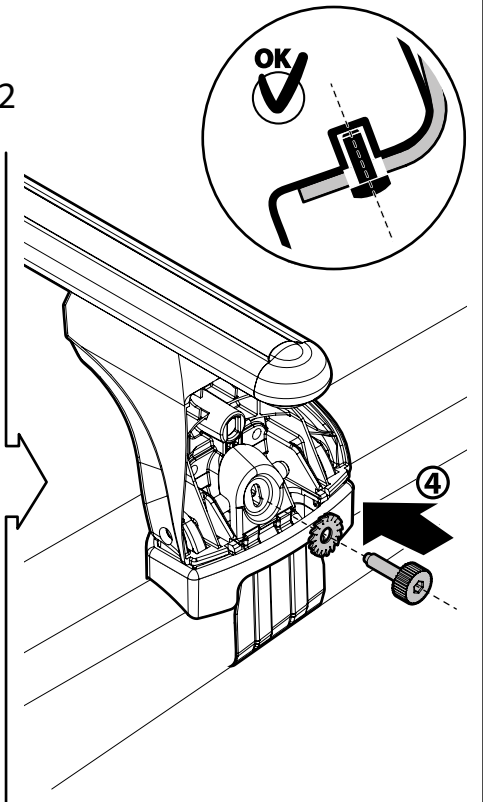
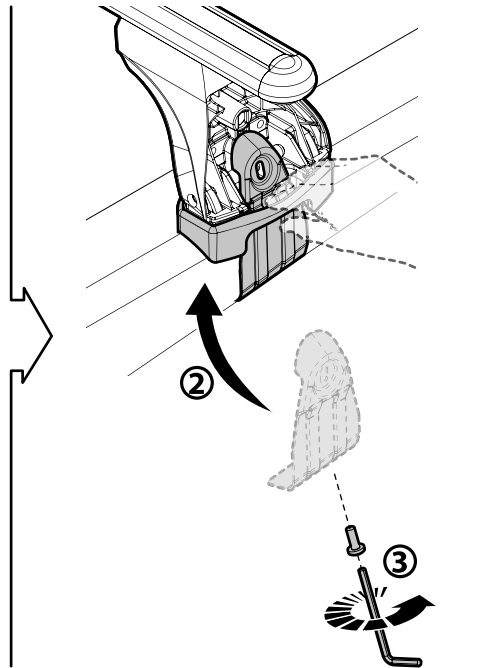
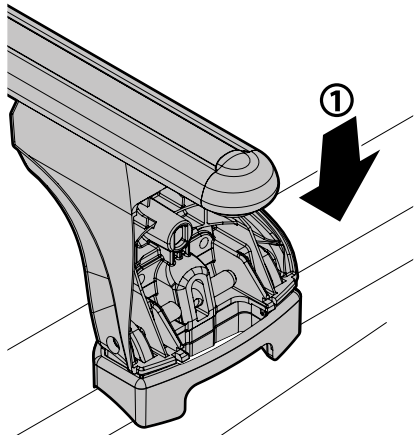
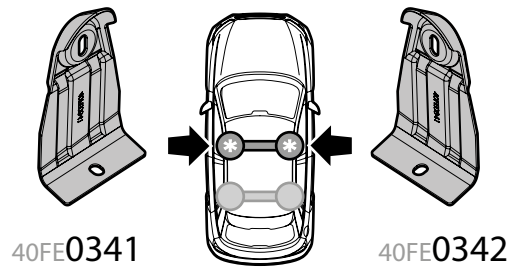
11



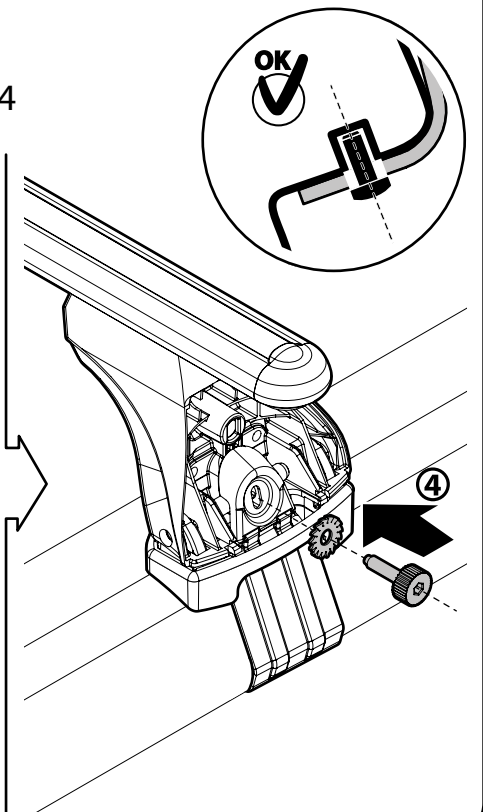
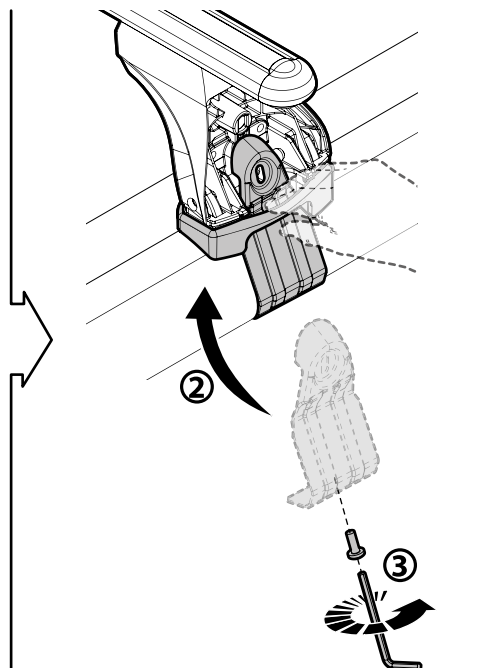
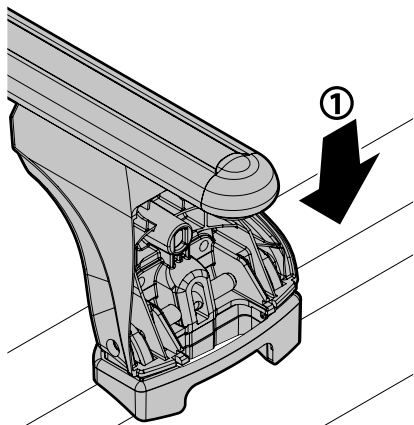
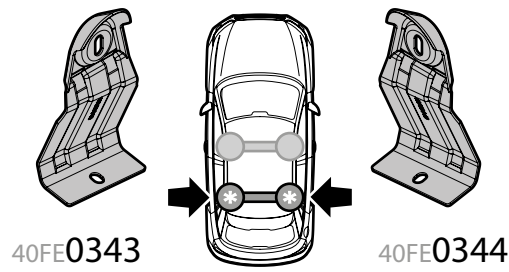
12



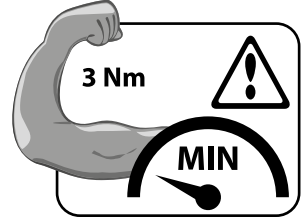
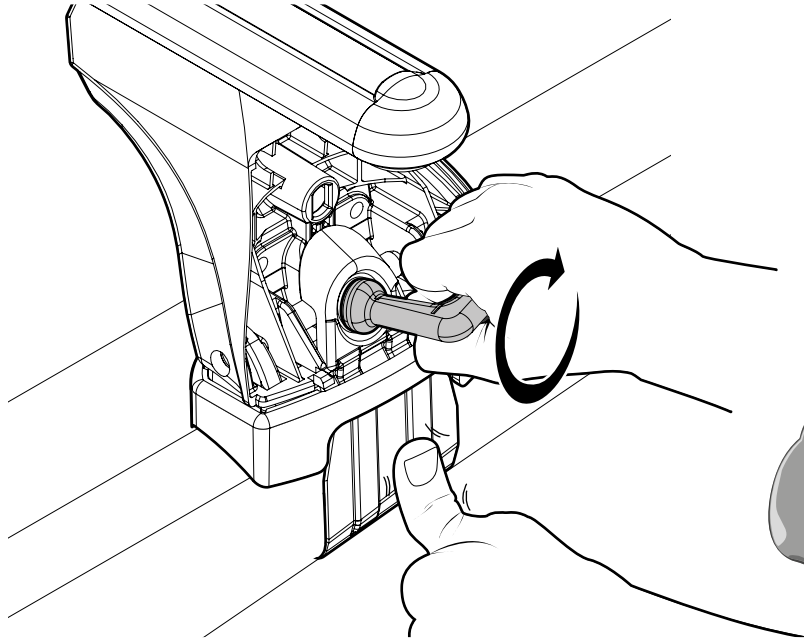
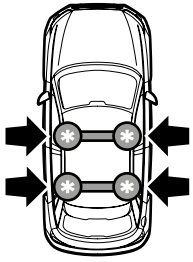
13



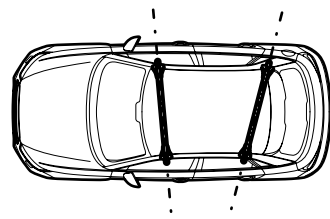
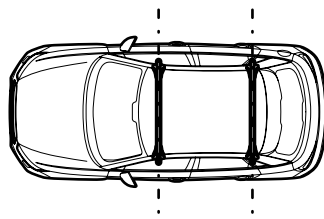
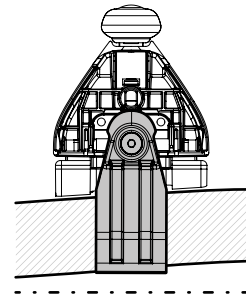
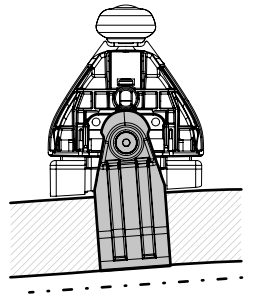
14



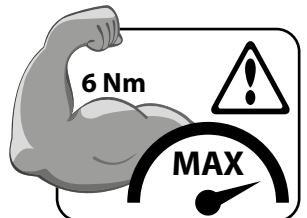
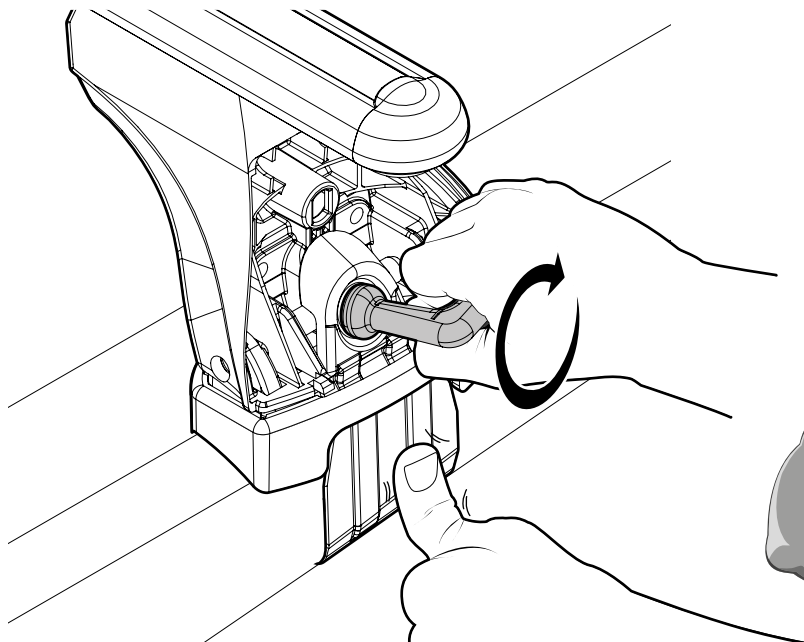
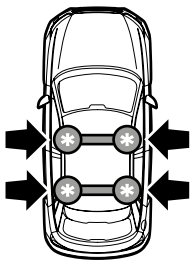
15



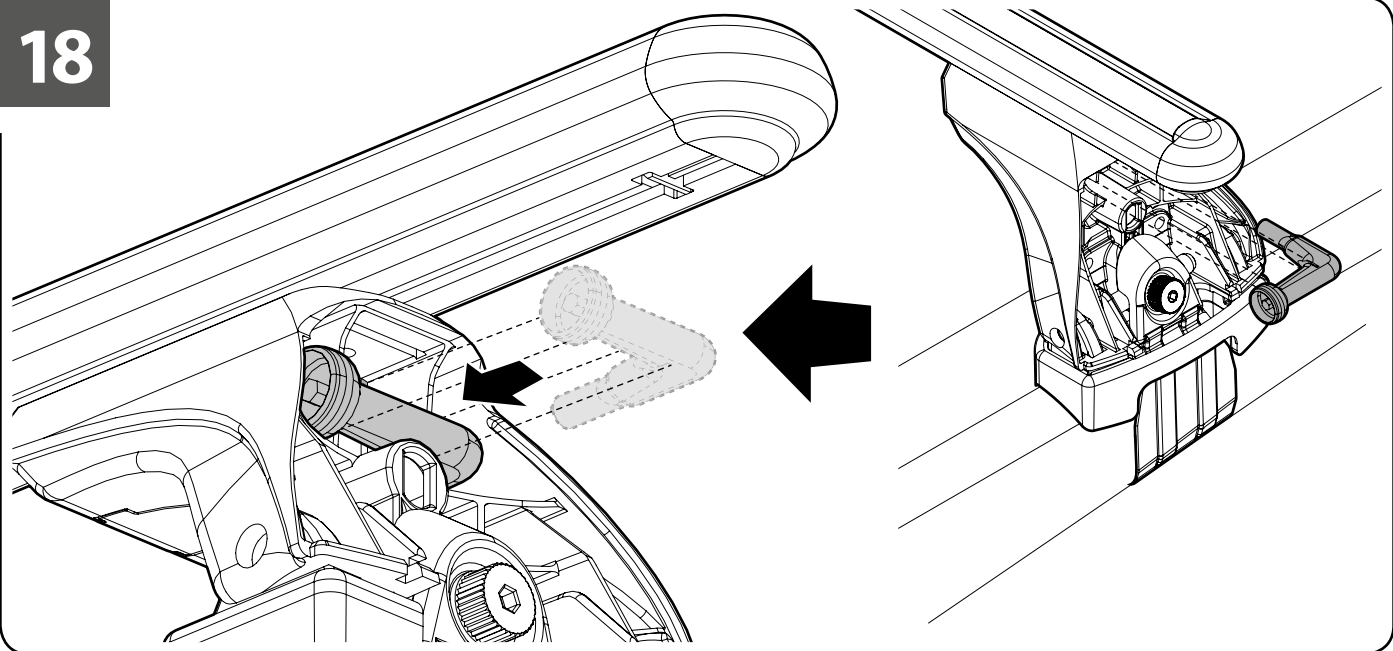
16



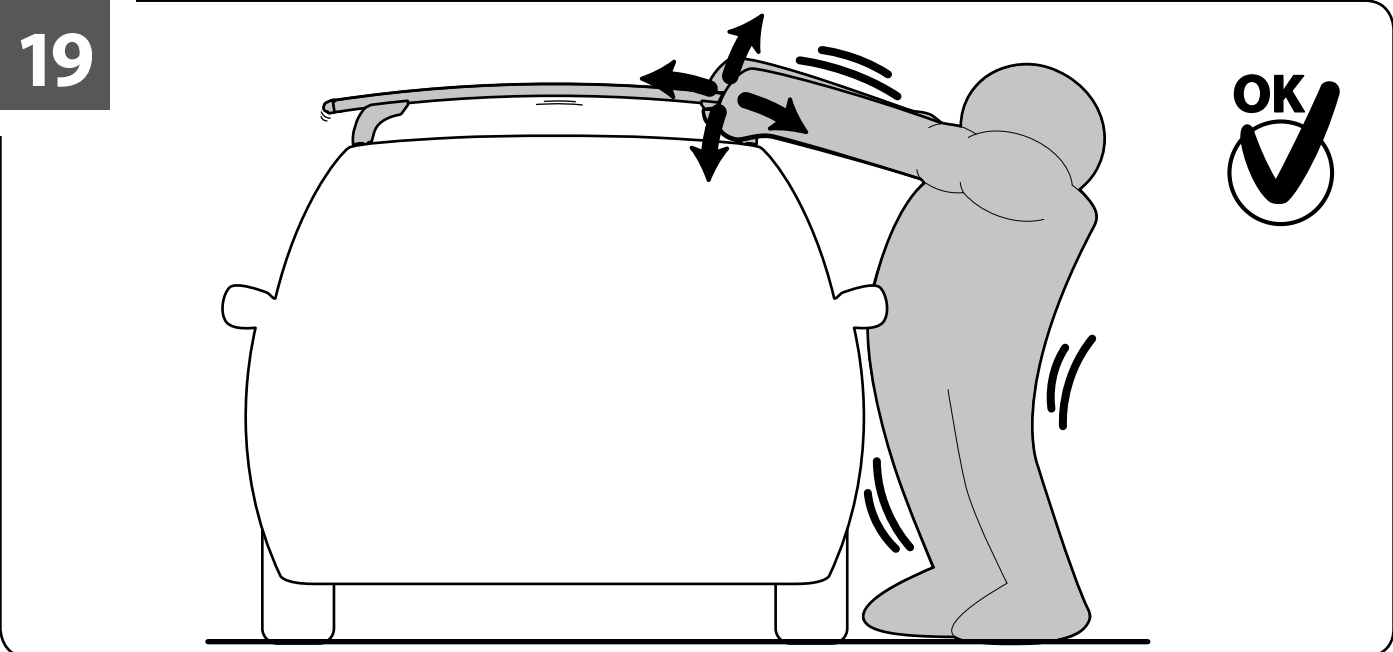
17



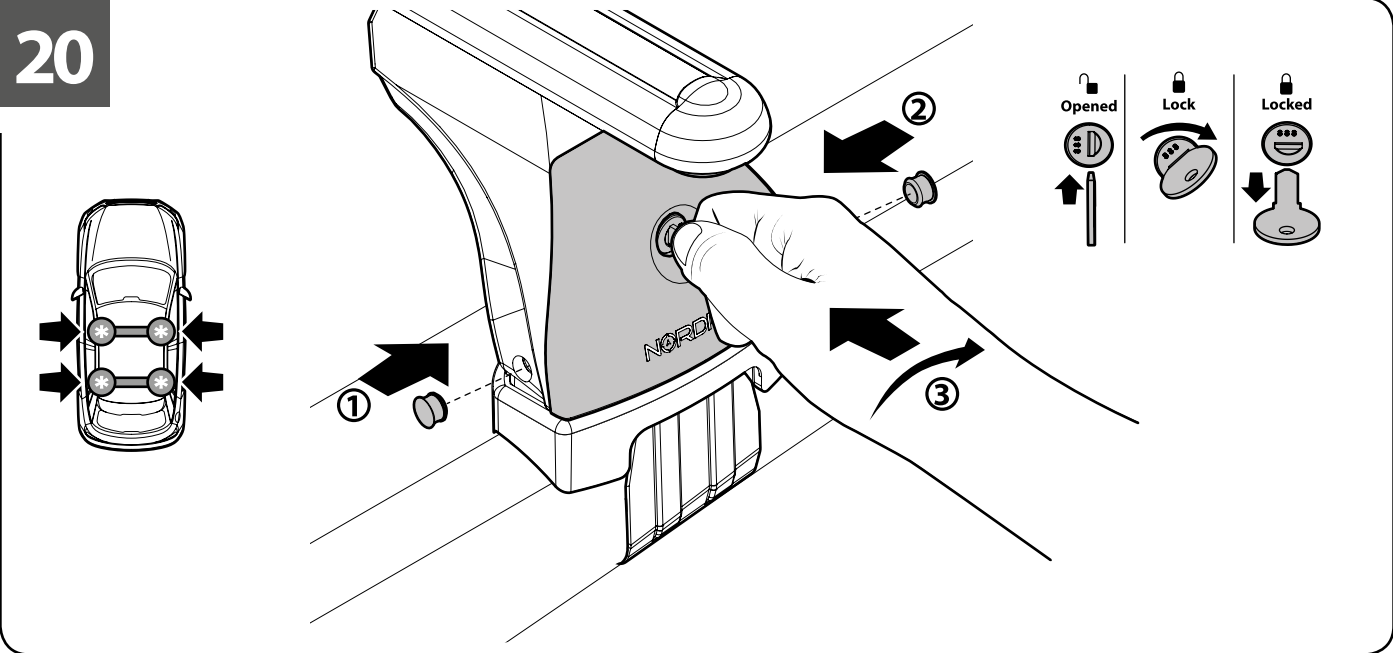
18



19



20



EVOS

NORDRIVE[®]
TRANSPORT SOLUTIONS

is a registered trade mark of

LAMPA S.p.A.

Via G. Rossa 53/55, 46019 Viadana (MN) ITALY

Tel. +39 0375 820700

UNI EN ISO 9001:2015 Certified Company

www.nordrive.it

www.lampa.it